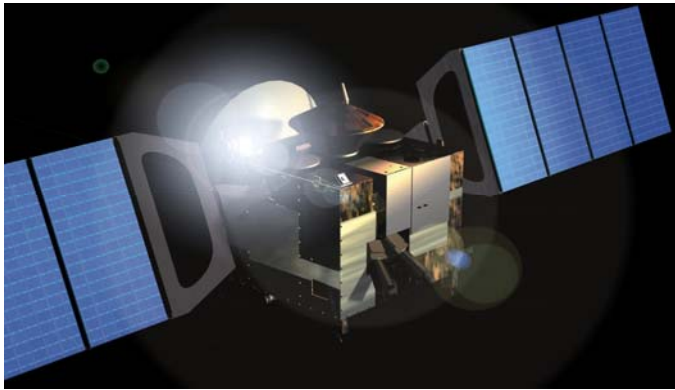


MARS EXPRESS WITH OHMEGA-PLY® IN BEAGLE 2 LANDER

Ohmega Technologies, Inc. is pleased to announce the use of OhmegaPly® embedded resistor material in the upcoming European Space Agency Mars Express mission. OhmegaPly® was supplied for use by the Leicester University Beagle 2 team in a number of Beagle 2 circuits' boards. The Beagle 2 project consists of a consortium lead by the Open University. For more information on the Beagle 2, please visit the following web sites:

Open University Beagle2 <http://www.beagle2.com/index.htm>

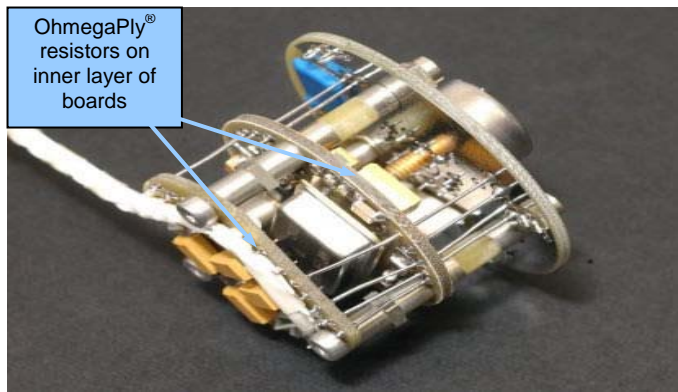
Leicester University Beagle2 <http://www.src.le.ac.uk/projects/beagle2/index.html>



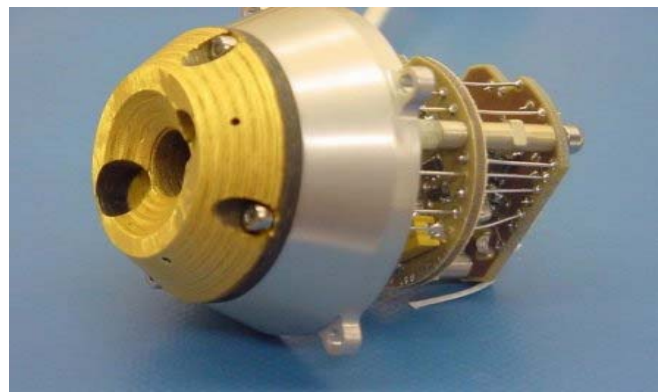
▲ Mars Express orbiter



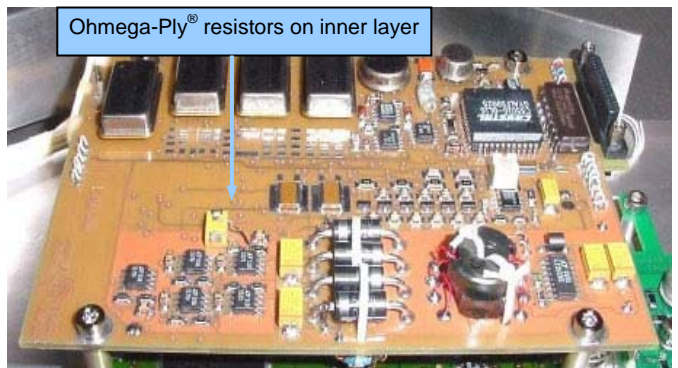
▲ Beagle 2 lander with instruments on its robotic arm



▲ X-Ray Spectrometer (XRS) with OhmegaPly® resistors



▲ X-Ray Spectrometer with cover to measure the elements in rocks



▲ OhmegaPly® resistors in electronic lander PC board



▲ Top view of PAW (position adjustable workbench)